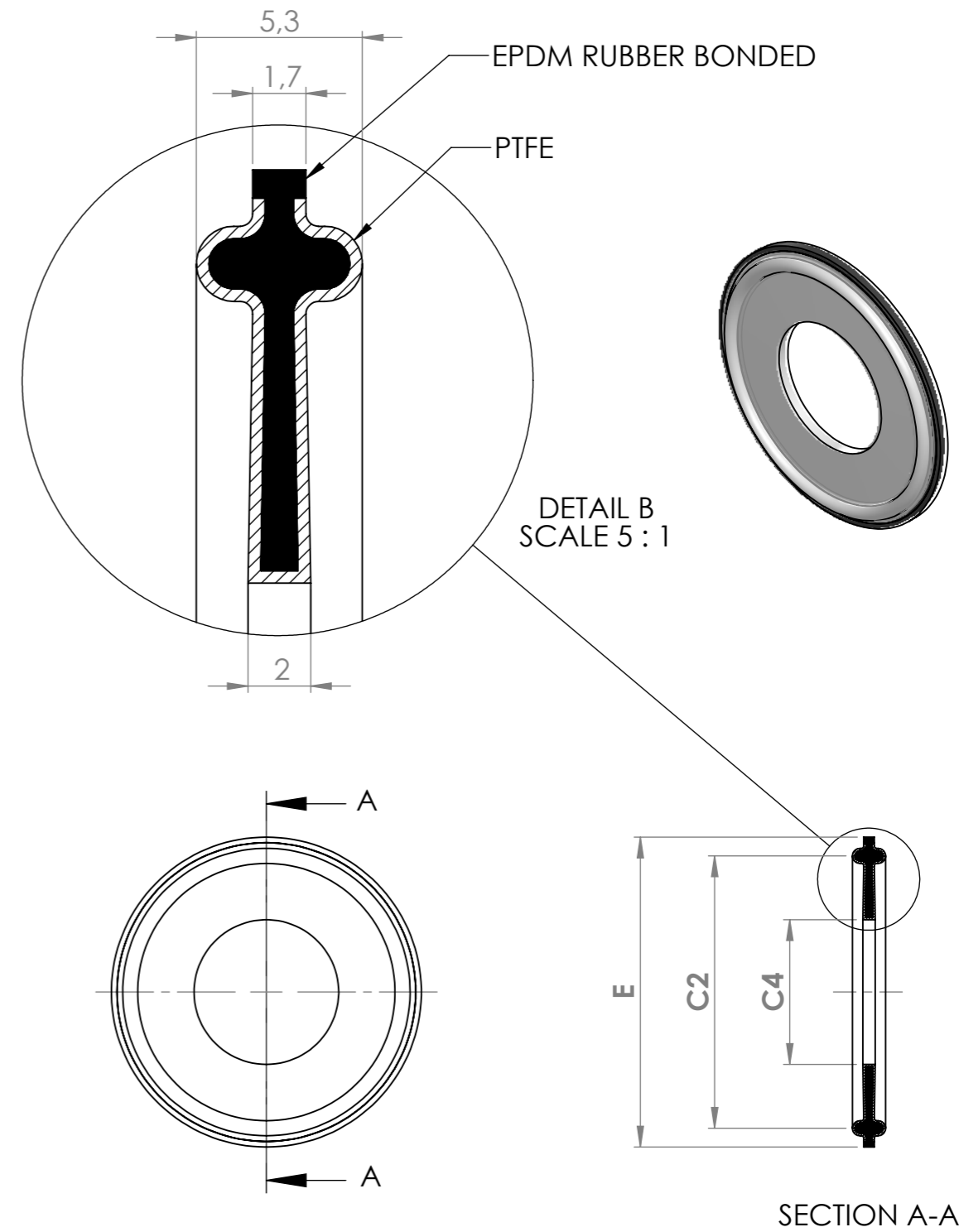


Design Table for: 0504P0005

SMS-3017	E	C4	C2
DN25	49,5	22,8	43,5
DN33,7	50,5	31,5	43,5
DN38	49,5	35,8	43,5
DN51	64,0	48,8	56,5
DN63,5	77,5	60,5	70,5
DN76,1	91,0	73,1	83,5
DN88,9	106,0	85,1	97,0
DN101,6	118,0	97,8	110,0



	CONFIGURATION	DESCRIPTION:		UNITS:	SCALE:	SHEETSIZE
	see table	SMS 3017 PTFE EPDM TRI-BOND® CMD-1061				
<small>info@ultrapharma.com www.ultrapharma.com</small>	<small>De Droogmakerij 12 1851LX Heiloo</small>	<small>The Netherlands Tel.: +31 856 200 900</small>	<small>The information contained in this drawing is the sole property of Ultrapharma BV. Any reproduction in part or as a whole without written permission of Ultrapharma BV is prohibited.</small>	mm	1:1	A3