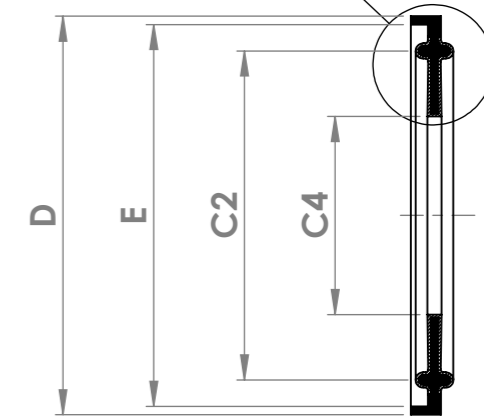
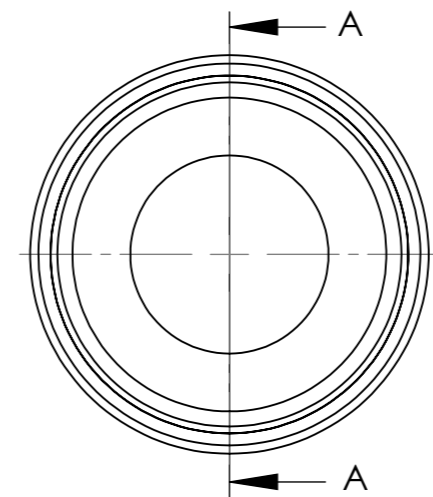
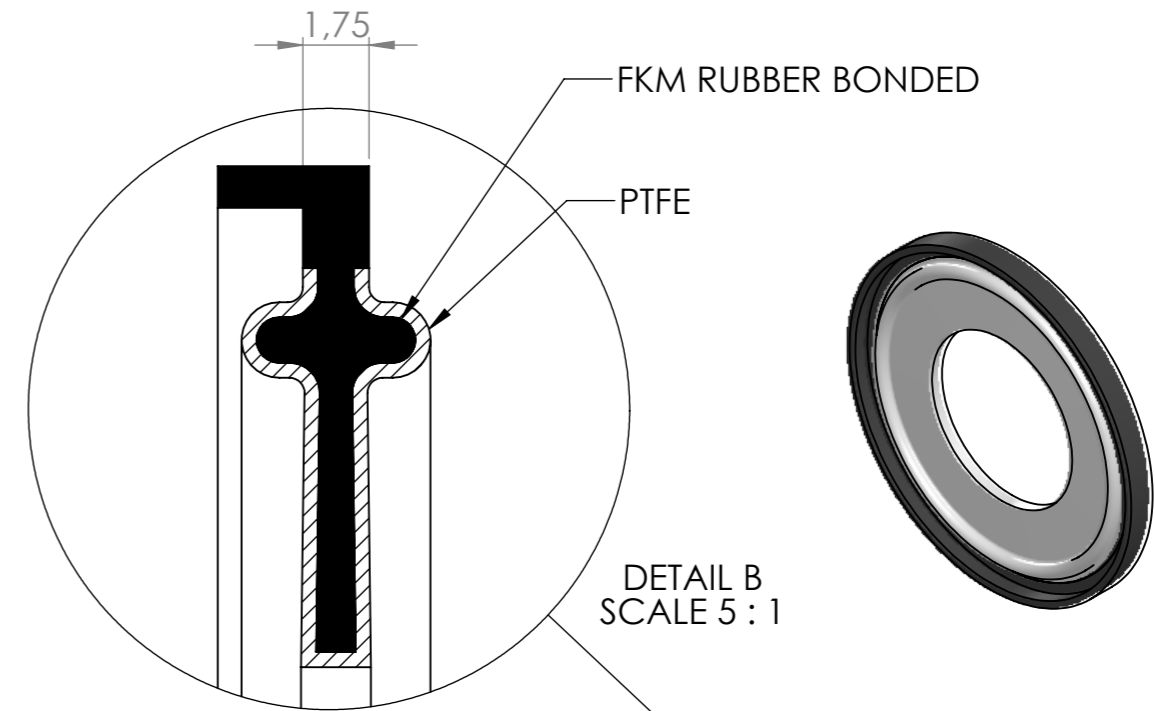


| Design Table for: 0501P0008 | | | | |
|-----------------------------|-------|-------|-------|-------|
| DIN 32676 | E | C4 | C2 | D |
| DN10 | 34,0 | 10,2 | 27,5 | 36,2 |
| DN15 | 34,0 | 16,2 | 27,5 | 36,2 |
| DN20 | 34,0 | 20,2 | 27,5 | 36,2 |
| DN25 | 50,5 | 26,2 | 43,5 | 52,7 |
| DN32 | 50,5 | 32,2 | 43,5 | 52,7 |
| DN40 | 50,5 | 38,2 | 43,5 | 52,7 |
| DN50 | 64,0 | 50,2 | 56,5 | 66,2 |
| DN65 | 91,0 | 66,2 | 83,5 | 93,2 |
| DN80 | 106,0 | 81,2 | 97,0 | 108,2 |
| DN100 | 119,0 | 100,2 | 110,0 | 121,2 |
| DN125 | 155,0 | 125,2 | 146,0 | 157,2 |
| DN150 | 183,0 | 150,2 | 174,0 | 185,2 |
| DN200 | 233,5 | 200,2 | 225,0 | 235,7 |
| DN250 | 268,0 | 250,2 | 257,8 | 270,2 |
| DN300 | 319,0 | 300,2 | 308,6 | 321,2 |



SECTION A-A

UP Ultrapharma

info@ultrapharma.com 1967 DB Heemskerk T: +31-(0)251-207050
www.ultrapharma.com The Netherlands F: +31-(0)251-207055

| | | | | | |
|--|--|--------------------------|--------------|---------------|------------------|
| CONFIGURATION see table | DESCRIPTION: DIN 32676 PTFE FKM TRI-BOND® FLANGED | 3RD ANGLE PROJECTION | UNITS: mm | SCALE: 1:1 | SHEET SIZE A3 |
| The information contained in this drawing is the sole property of Ultrapharma BV. Any reproduction in part or as a whole without written permission of Ultrapharma BV is prohibited. | | | | | |