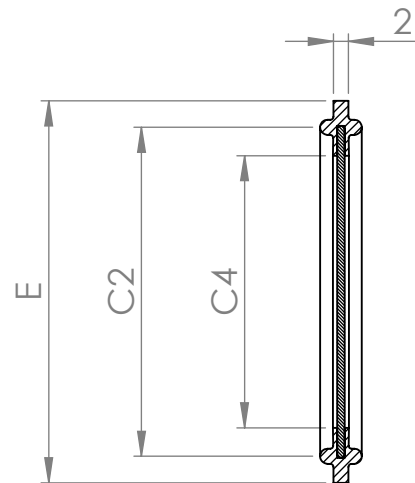
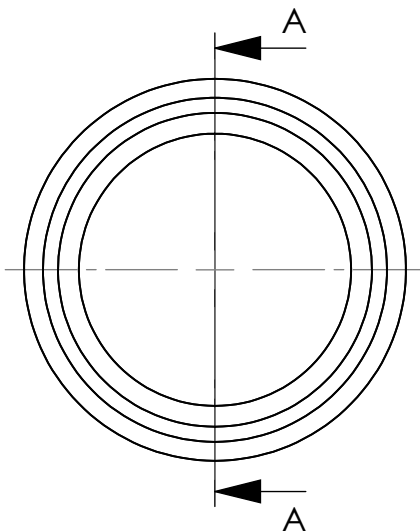
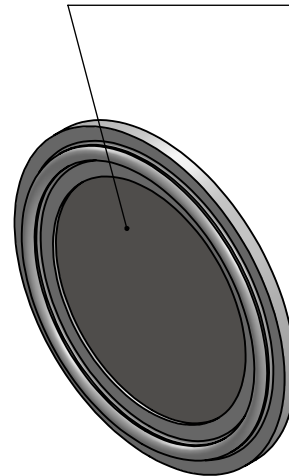


| Tolerance Rubber Class M2 | ISO 3302-1 Fixed | ISO 3302-1 Closure |
|---------------------------|------------------|--------------------|
| 0 up to 4 | ± 0.10 | ± 0.15 |
| 4 up to 6,3 | ± 0.15 | ± 0.20 |
| 6,3 up to 10 | ± 0.20 | ± 0.20 |
| 10 up to 16 | ± 0.20 | ± 0.25 |
| 16 up to 25 | ± 0.25 | ± 0.35 |
| 25 up to 40 | ± 0.35 | ± 0.40 |
| 40 up to 63 | ± 0.40 | ± 0.50 |
| 63 up to 100 | ± 0.50 | ± 0.70 |
| 100 up to 160 | ± 0.70 | ± 0.80 |
| 160 above | 0.5 % | 0.7 % |

| Design Table for: 0304P0001 | | | |
|-----------------------------|-------|------|-------|
| SMS 3017 | E | C4 | C2 |
| DN25 | 50,5 | 23,0 | 43,5 |
| DN33,7 | 50,5 | 31,7 | 43,5 |
| DN38 | 50,5 | 36,0 | 43,5 |
| DN51 | 64,0 | 49,0 | 56,5 |
| DN63,5 | 77,5 | 60,7 | 70,5 |
| DN76,1 | 91,0 | 73,3 | 83,5 |
| DN88,9 | 106,0 | 85,3 | 97,0 |
| DN101,6 | 119,0 | 98,0 | 110,0 |

ORIFICE PLATE 316L SS



SECTION A-A

UP Ultrapharma

info@ultrapharma.com
www.ultrapharma.com

De Droogmakerij 12
1851LX Heiloo

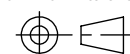
The Netherlands
Tel.: +31 856 200 900

CONFIGURATION
Default

DESCRIPTION:
SMS 3017 ELASTO ORIFICE PLATE 316L

The information contained in this drawing is the sole property of Ultrapharma BV. Any reproduction in part or as a whole without written permission of Ultrapharma BV is prohibited.

3RD ANGLE PROJECTION



UNITS:
mm

SCALE:
1:1

SHEETSIZE
A4