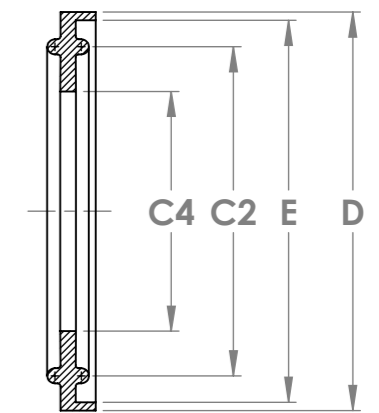
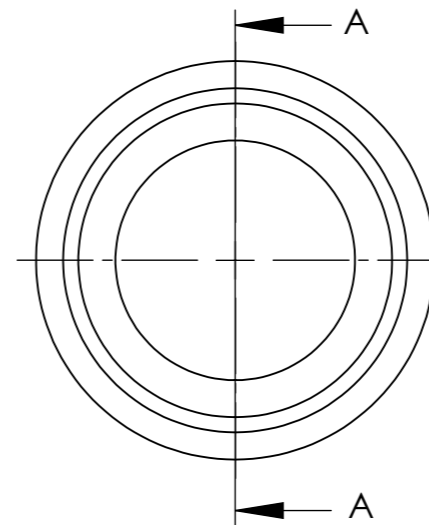
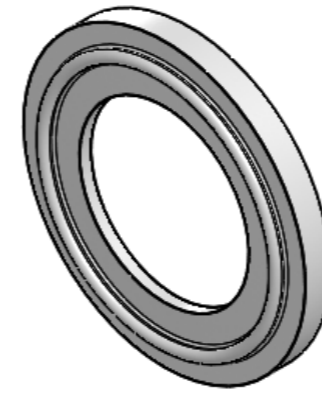


Dimension Table for: 0104P0002				
SMS 3017	E	C4	C2	D
DN25	50,5	23,0	43,5	52,7
DN33,7	50,5	31,7	43,5	52,7
DN38	50,5	36,0	43,5	52,7
DN51	64,0	49,0	56,5	66,2
DN63,5	77,5	60,7	70,5	79,7
DN76,1	91,0	73,3	83,5	93,2
DN88,9	106,0	85,3	97,0	108,2
DN101,6	119,0	98,0	110,0	121,2
DN114,3	130,0	110,7	122,0	132,2
DN139,7	155,0	136,1	146,0	157,2
DN168,3	183,0	163,5	174,0	185,2
DN219,1	233,5	214,3	225,0	235,7



SECTION A-A

UP Ultrapharma

info@ultrapharma.com 1967 DB Heemskerk T: +31-(0)251-207050
www.ultrapharma.com The Netherlands F: +31-(0)251-207055

CONFIGURATION
see table

DESCRIPTION:
SMS 3017 ELASTOMER FLANGED

The information contained in this drawing is the sole property of Ultrapharma BV. Any reproduction in part or as a whole without written permission of Ultrapharma BV is prohibited.



UNITS:
mm

SCALE:
1:1

SHEETSIZE
A3