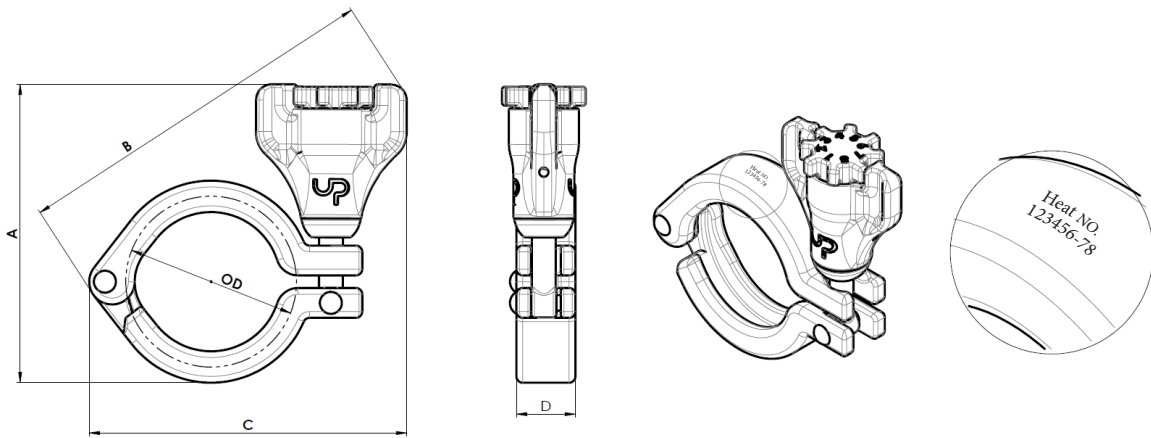


Product Data Sheet



Article number | 13LAH-###-EAZY  
Material | 316SS/304SS + CERAMIC



SIZE	PART NO.	FLANGE OD	A	B	C	D	Pressure rating @ 21°C/70°F	Pressure rating @ 141°C/286°F
½" & ¾"	13LAH-050/75-EAZY	22	83	95	70	19	10bar (145PSI)	3.8bar (55PSI)
34 mm	13LAH-034-EAZY	34	86	106	87	19	10bar (145PSI)	3.8bar (55PSI)
1 & 1½"	13LAH-100/150-EAZY	50.5	95	118	101	19	10bar (145PSI)	3.8bar (55PSI)
2"	13LAH-200-EAZY	64	102	133	118	19	10bar (145PSI)	3.8bar (55PSI)
2½"	13LAH-250-EAZY	77.5	109	145	131	19	10bar (145PSI)	3.8bar (55PSI)
3"	13LAH-300-EAZY	91	115	148	143	19	10bar (145PSI)	3.8bar (55PSI)
4"	13LAH-400-EAZY	119	128	180	170	19	7bar (102PSI)	3.8bar (55PSI)
6"	13LAH-600-EAZY	167	164	239	230	25	7bar (102PSI)	3.8bar (55PSI)

This information is accurate to the best of our knowledge. We advise the users of our products to perform their own testing for chemical compatibility and suitability for particular applications.