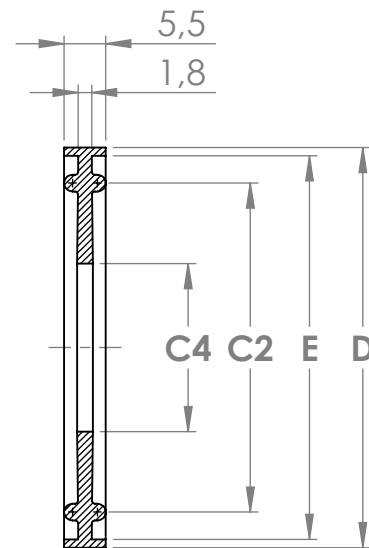
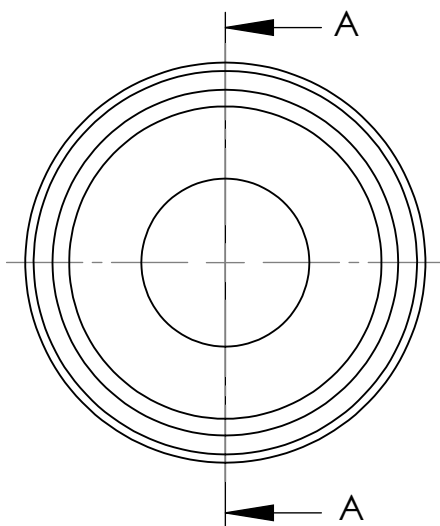
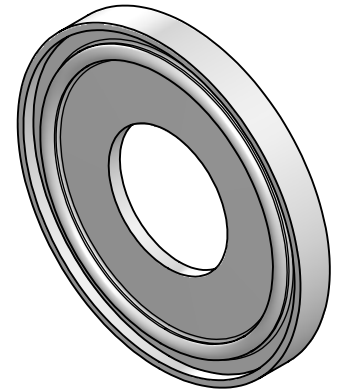


Design Table for: 0605P0004

ASME-BPE	E	C4	C2	D
1"	50,7	22,2	43,5	52,9
1,5"	50,7	34,9	43,5	52,9
2"	64,2	47,6	56,5	66,4
2,5"	77,7	60,3	70,5	79,9
3"	91,2	73,0	83,5	93,4
4"	119,2	97,5	110,0	121,4
6"	167,2	147,0	156,5	169,4
8"	217,4	197,7	207,0	219,6
10"	268,5	247,2	257,8	270,7
12"	319,3	298,0	308,6	321,5



SECTION A-A

UP Ultrapharma

info@ultrapharma.com
www.ultrapharma.com

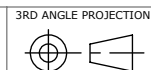
1967 DB Heemskerk
The Netherlands

T: +31-(0)251-207050
F: +31-(0)251-207055

CONFIGURATION
see table

DESCRIPTION:
ASME-BPE STEAM-FLON® DOUBLE FLANGED

The information contained in this drawing is the sole property of Ultrapharma BV. Any reproduction in part or as a whole without written permission of Ultrapharma BV is prohibited.



UNITS:
mm

SCALE:
1:1

SHEETSIZE
A4