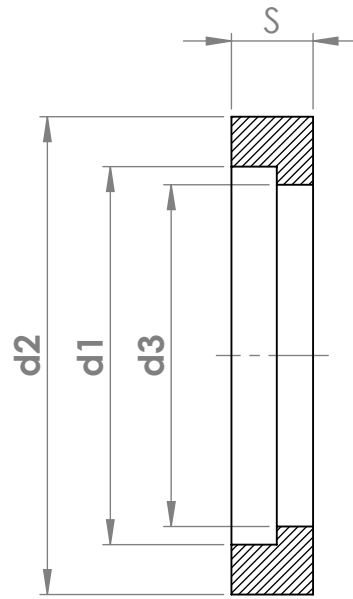
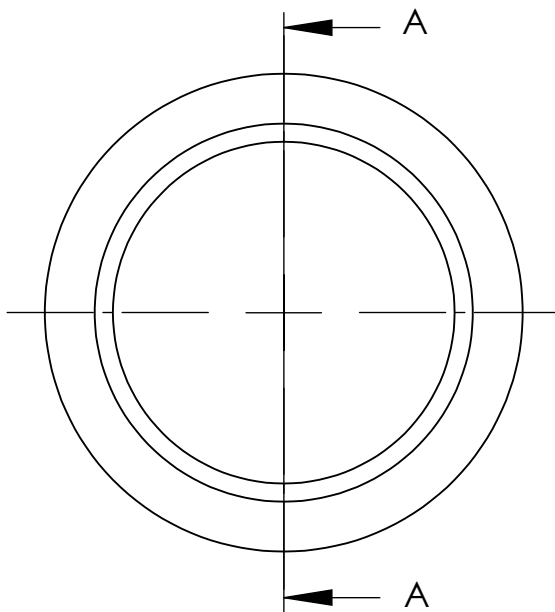
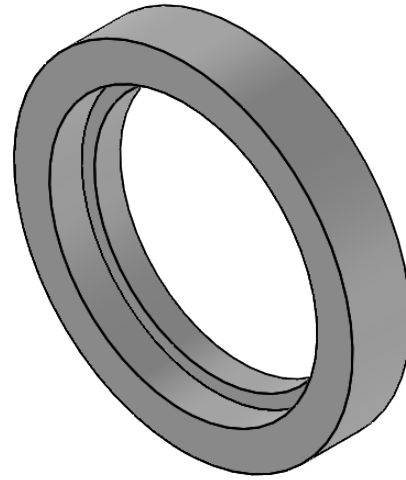


SMS 1149	d1	d2	d3	S
DN25	25,0	31,6	22,6	5,4
DN32	32,0	38,8	29,8	5,4
DN38	38,0	47,5	35,5	5,6
DN51	51,0	60,6	48,6	5,6
DN63,5	63,5	73,0	60,6	5,6
DN76	76,0	85,5	73,1	5,6
DN104*	104,0	115,0	99,8	5,6



SECTION A-A

**UP Ultrapharma**

info@ultrapharma.com  
www.ultrapharma.com

1967 DB Heemskerk  
The Netherlands

T: +31-(0)251-207050  
F: +31-(0)251-207055

CONFIGURATION  
see table

DESCRIPTION:  
SMS 1149-L ELASTOMER

The information contained in this drawing is the sole property of Ultrapharma BV. Any reproduction in part or as a whole without written permission of Ultrapharma BV is prohibited.



UNITS:  
mm

SCALE:  
2:1

SHEETSIZE  
A4