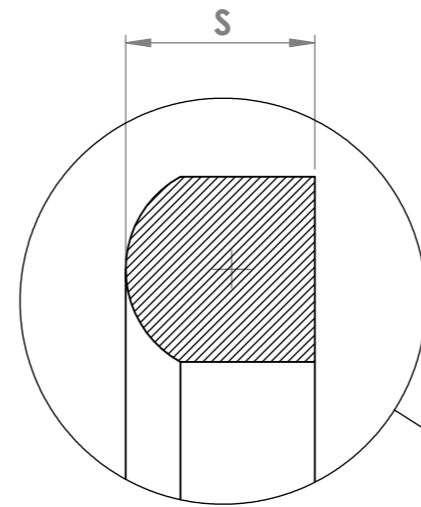
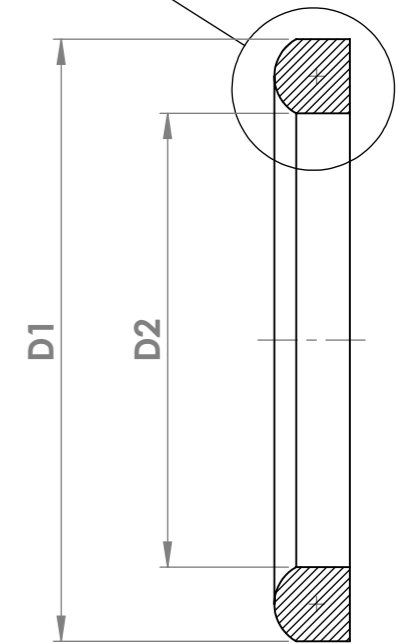
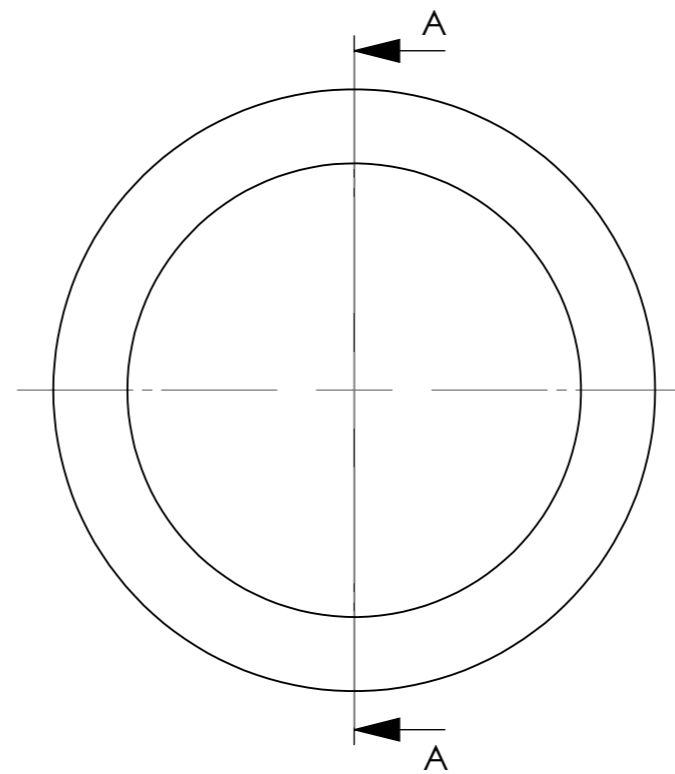
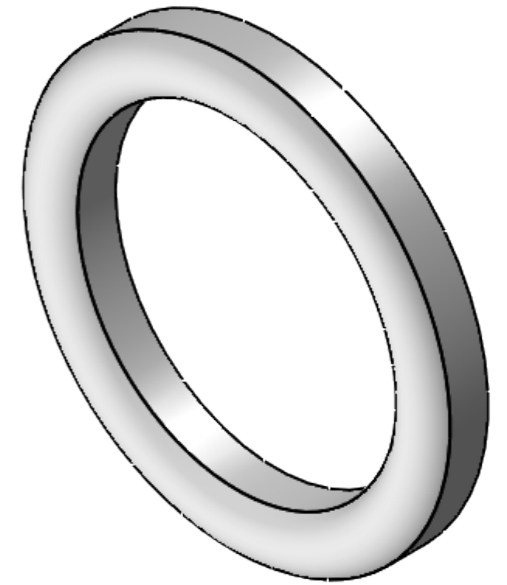


Design Table for: 0907P0005			
DIN 11851	D1	D2	S
DN10	19,8	12	4,5
DN15	25,8	18	4,5
DN20	32,8	23	4,5
DN25	39,8	30	5
DN32	45,8	36	5
DN40	51,8	42	5
DN50	63,8	54	5
DN65	80,8	71	5
DN80	94,8	85	5
DN100	113,8	104	6
DN125	141,8	130	7
DN150	166,8	155	7



DETAIL B
SCALE 5 : 1



SECTION A-A

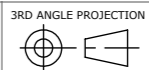
UP Ultrapharma

info@ultrapharma.com 1967 DB Heemskerk T: +31-(0)251-207050
www.ultrapharma.com The Netherlands F: +31-(0)251-207055

CONFIGURATION
see table

DESCRIPTION:
DIN 11851 PTFE

The information contained in this drawing is the sole property of Ultrapharma BV. Any reproduction in part or as a whole without written permission of Ultrapharma BV is prohibited.



UNITS:
mm

SCALE:
2:1

SHEETSIZE
A3